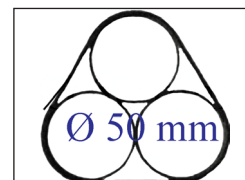
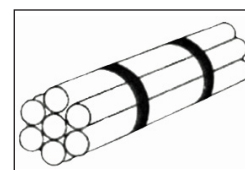
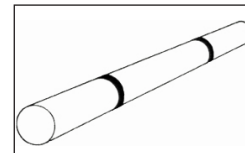
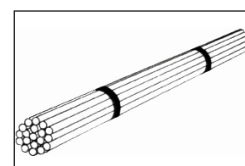


Strapping machine CI 89 S
For the automatic strapping of small packages



The automatic strapping machine CI 89 S is for strapping products with an unusual shape, such as small round products (e.g. PVC pipes) and small square products (e.g. wooden slats). The CI 89 S can be used in multiple industries. The CI 1989 S is distinguished by reliability, easy operation and low maintenance. Automatische bandinvoer

Features:

Automatic Strap loading

The strap is automatically guided from the strap dispenser between guide rollers. After pressing the start button threading begins automatically. When the strap accumulator is full the machine is ready to start operation.

„Loop“ funktion

Unintentional strapping sequences are ejected, the following strapping sequence takes place undisturbed.

Strap end sensor

A sensor recognises when the strap coil is empty. Strap surplus is automatically ejected out of the machine and the machine is ready for a new strap coil.

Operation

The strapping cycle can be started with a push button, an optional footswitch or a table switch. The strapping cycle is started once the package is placed in the machine.

Strap Tension

Infinitely adjustable via a potentiometer.

Extending the welding time

Seals snapping open belong to the past. The seal holding time is automatically adapted to the selected strap tension.

Flexible deployment

The CI 89 S can be used almost everywhere with its 4 wheels and 230 V power.

Arch size

The size of the arch is 650 x 400 mm.

Technical data:

Strapping capability: up to 40 straps./min. Depending on the selected strap and package size.

Optional 50 straps / min.

Min. Package: 40 mm x 30 mm (W x H)
round Ø 50 mm

Max. Package weight:: 30 kg

Strapping material: PP 5, 9, 12 mm

Strap coil: core diameter 200 mm
outer diameter 420 mm
width 190 mm

Strap tension: 50 – 800 N

Strapping: heat seal

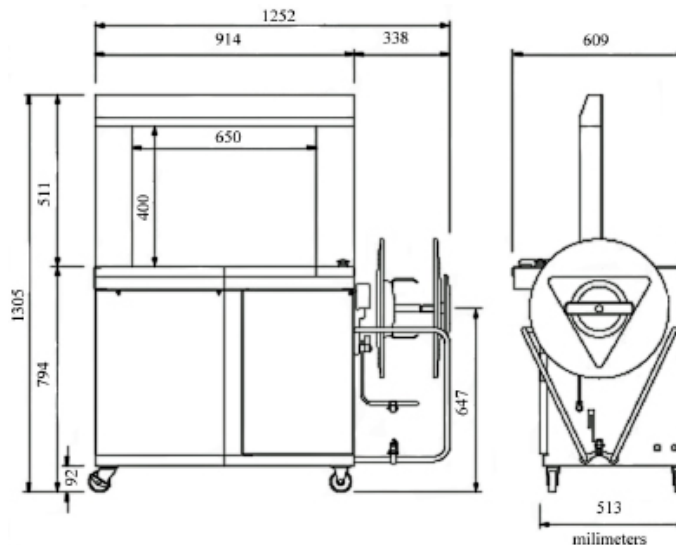
Noise: 78 - 85 dB(A)

Warm up time: about 30 sec.

Power supply: 230 V, 1 phase, 50 Hz

Machine weight: approx. 160 kg

Colour: RAL 5003



Subject to changes

Cyklop UK Limited
Unit 2, Generation Business Park
Barford Road
St. Neots, Cambridgeshire, PE19 6YQ

Phone: +44 (0)1480 216777
Fax: +44 (0)1480 216779
homepage: www.cyklop.co.uk
e-mail: info@cyklop.co.uk

CYKLOP
INTERNATIONAL

THE
STRAPPING
COMPANY

Version 11/2006