



Stretch Wrapper  
CTT 215



# Stretch Wrapper CTT 215

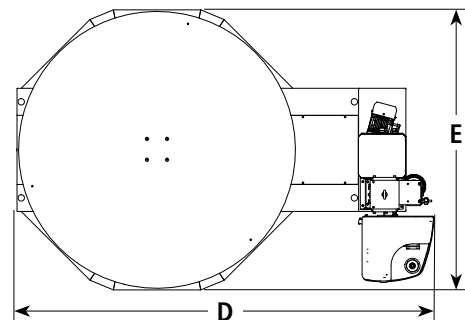
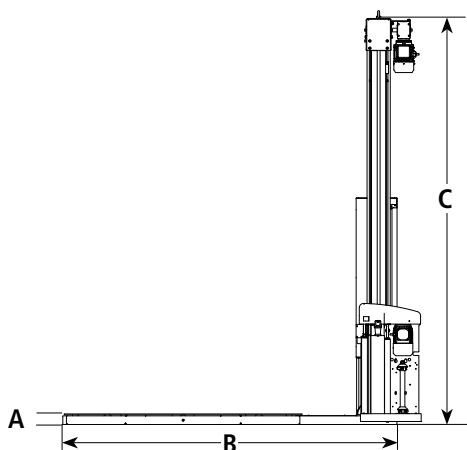
Wraps irregular shaped loads. Uses forklift/palletjack to load stretch wrapper. Operator starts wrap cycle at machine. Operator manually cuts/attaches film.

These properties guarantee not only good load securement but also minimum material costs, i.e. low film consumption. With the CTT 215 you have the possibility to regulate the application of tension (force of applying the film to the product).



## Standard machine specification and dimensions

|                     |                                 |  |
|---------------------|---------------------------------|--|
| <b>Machine</b>      | Table diam                      | Ø1650 mm   |
|                     | Speed                           | Up to 12 rpm adjustable                            |
|                     | Start / stop                    | Frequency controlled                               |
|                     | Bottom/ top wraps               | 1–7 (Prog 3, 2-14)                                 |
|                     | Film carriage speed             | Variable speed                                     |
|                     | Pre-stretch system              | <b>POWER ECOSTRETCH®</b>                           |
|                     | Pre-stretch ratio               | 30, 60, 80, 110, 145, 200, 250 or 300 % adjustable |
|                     | Stretch wrapping programs       | 5 standard, 1 option                               |
|                     | Controller                      | PLC  |
|                     | <b>Power</b>                    | Supply   |
| Protection          |                                 | IP54   |
| Loading             |                                 | 10 A   |
| <b>Pallet Goods</b> | Max size (length x width)       | 1200 x 1000 mm                                     |
|                     | Max. goods height incl. pallet: | 2200 mm  |
|                     | Permitted load weight           | 2000 Kg  |
| <b>Stretch Film</b> | Core diameter                   | 76 mm  |
|                     | Outer diameter, max             | 250 mm   |
|                     | Film width, max                 | 500 mm   |
|                     | Film thickness                  | 9-35 my  |



| Dim (mm) | A  | B    | C    | D    | E    |
|----------|----|------|------|------|------|
| Standard | 73 | 2305 | 2800 | 2475 | 1660 |

Weight, standard: 380 kg (Weight can vary depending on options). Crated dimensions: L2900 x H750 x W1700 mm, weight: 550 kg.

[WWW.CYKLOPTEKNIK.SE](http://WWW.CYKLOPTEKNIK.SE)

**CYKLOP®**  
GLOBAL PACKAGING SOLUTIONS

STRAPPING  
WRAPPING  
CODING  
TAPING